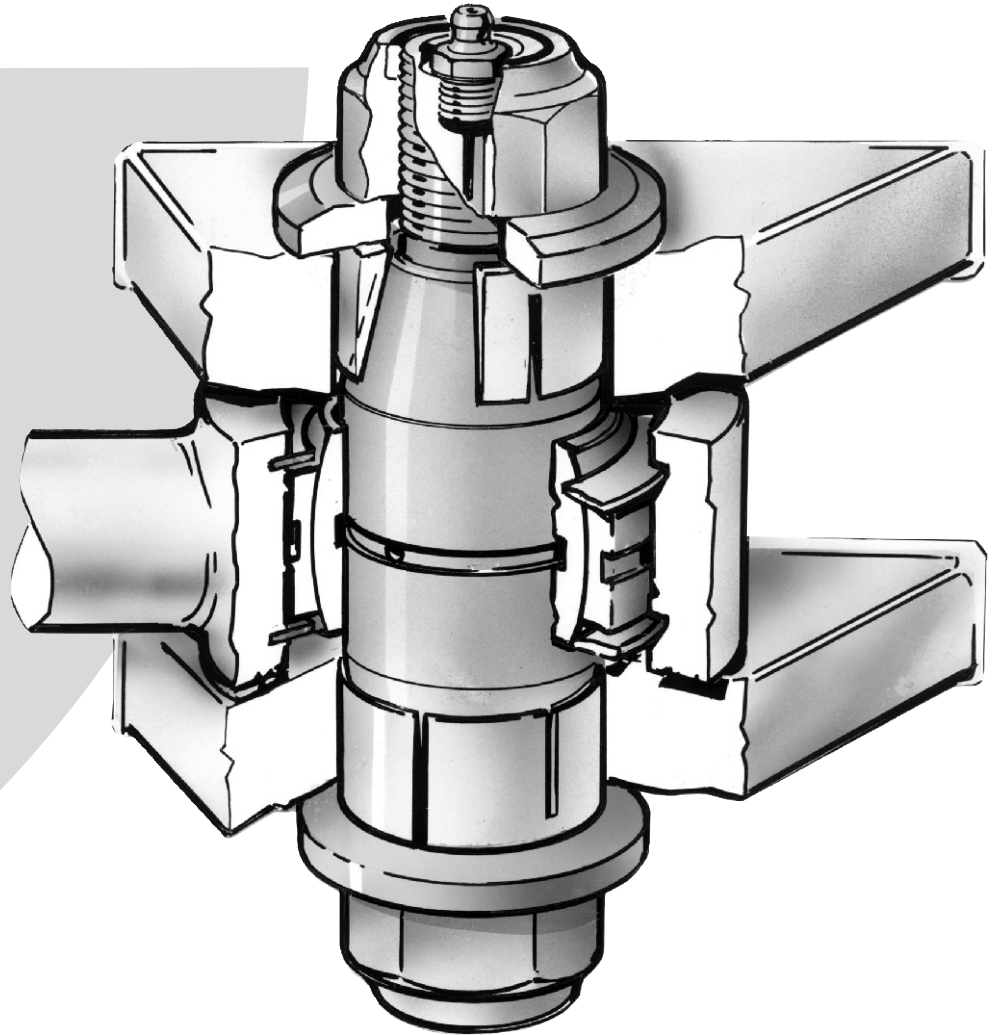


Pivot Dimension Sheet



Fill in the pivot measurements according to the instructions. If you have any questions, please Contact MST.

Company: _____

Contact Person: _____

Address: _____

Phone: _____

Fax: _____

e-mail: _____

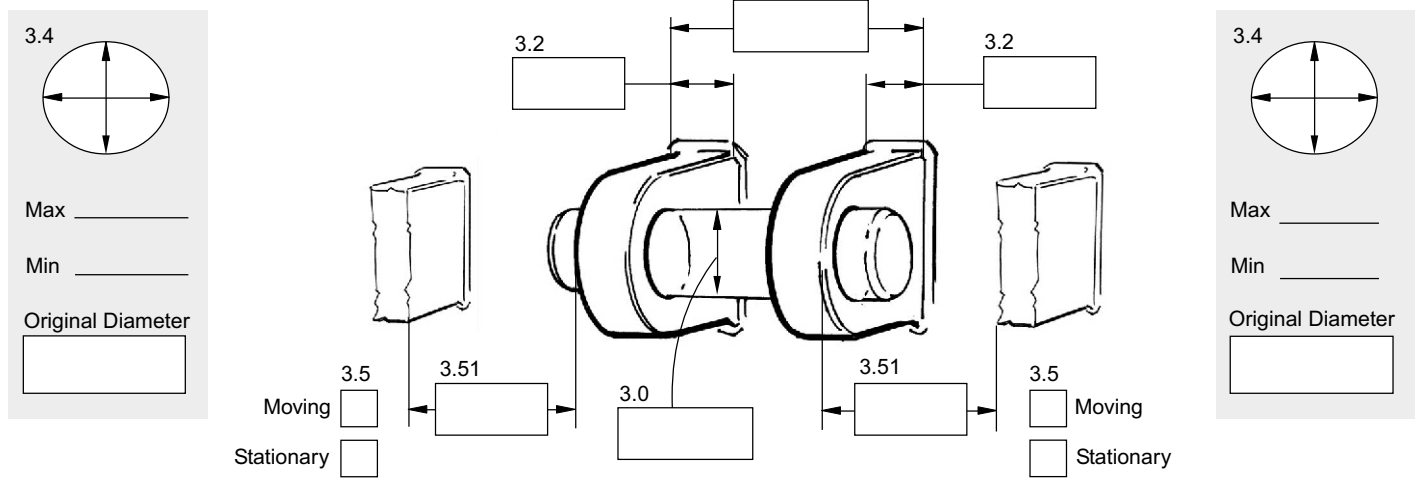
T: 0191 410 5311
F: 0191 410 0482

Email: sales@mstpartsgroup.com

1 Order Inquiry Quantity _____ pcs Measurements are in Inches mm

2 2.0 Machine Model: _____ 2.3 Year: _____
 2.1 Position / Picture Code: _____ 2.4 Production No.: _____
 2.2 Original Part Number: _____

- 3 3.0 Indicate the original pin diameter.
 3.1 Measure the distance between the outside edges of the mounting lugs.
 3.2 Measure the width of each mounting lug.
 3.3 **Remove any bushings fitted in the mounting lugs.**
 3.4 Fill-in the diameter of the original hole. If the hole in the mounting lug is worn, measure the minimum and maximum diameters of the hole.
 3.5 Indicate, if any, a stationary or moving obstacle within 100 mm from the mounting lugs.
 3.51 Measure the distance between the obstacle and the respective mounting lug.



4 4.0 Indicate if the pivot is equipped with a bushing or bearing. If more than one bushing, indicate how many and the width.

Bushing(s) How many _____
 Bearing Width _____

